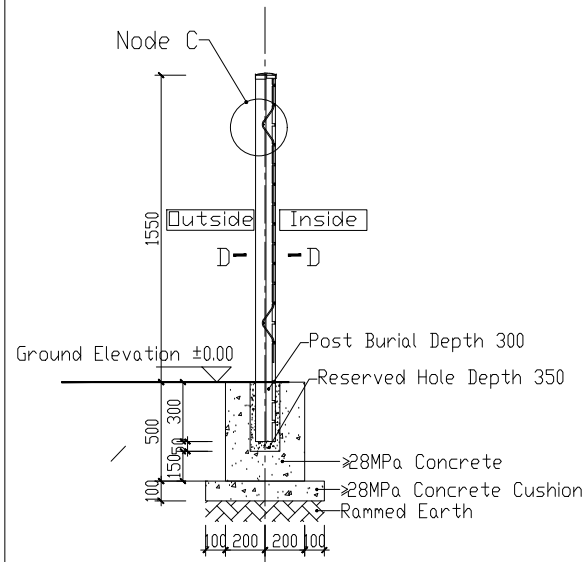
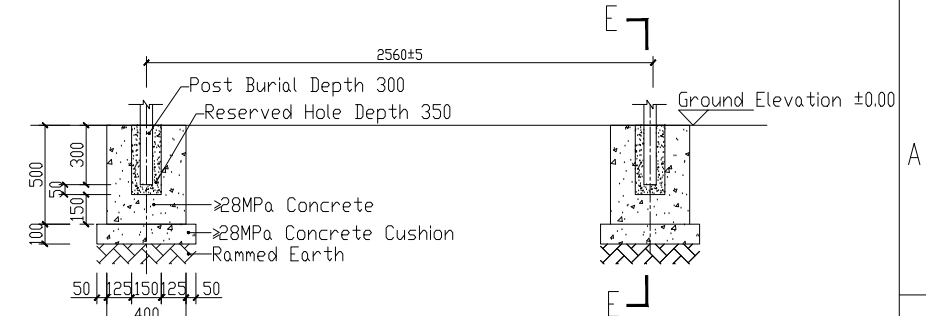


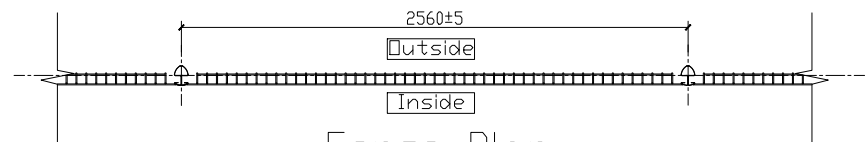
Fence Elevation



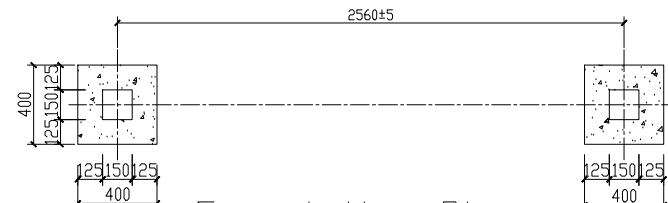
A-A Sectional



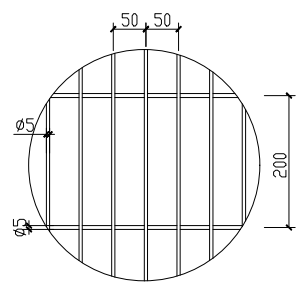
Foundation Elevation



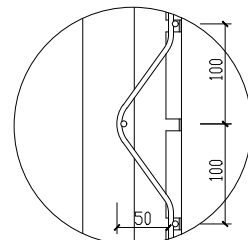
Fence Plan



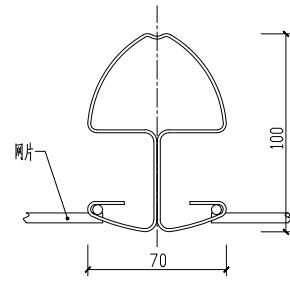
Foundation Plan



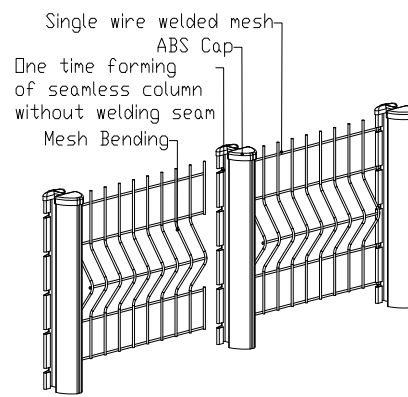
Node B 4:1



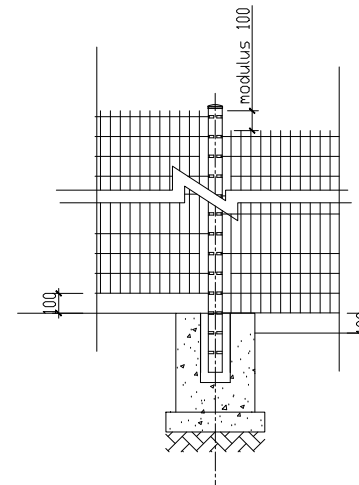
Node C 5:1



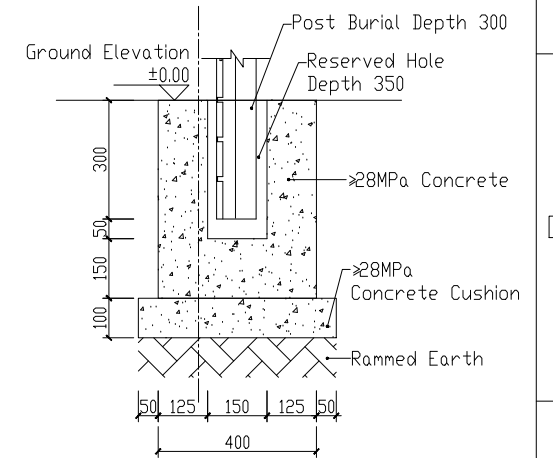
D-D 10:1



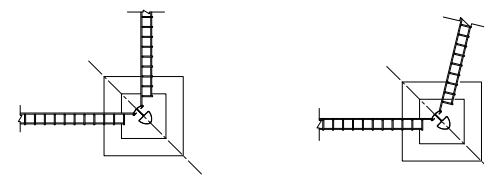
Fence Perspective



Ladder Node



E-E Sectional 2:1



Corner Node

Technical Description:

- 1.The dimensions marked in the figure are the centerline dimensions, measured in millimeters;
- 2.The installation height of the fence is 1530 (excluding the foundation), and the center distance of the columns is 2560 ± 5;
- 3.The fence is composed of directly buried columns (including top cover), mesh and other components;
- 4.The column adopts a one-time formed seamless profile, made of continuous hot-dip galvanized steel plate, material DC51D+Z, with a galvanizing amount of  $\geq 20g/m^2$  (double-sided);
- 5.The cross-sectional size of the column is 70x100x1.2, with a height of 1850;
- 6.The mesh is made of high-strength cold drawn hot-dip galvanized steel wire resistance welding, material Q195, steel wire tensile strength  $\geq 450MPa$ , steel diameter  $\phi 5$  (horizontal wire)+ $\phi 5$  (vertical wire), reinforced groove 50 (wire) X100 (horizontal wire), galvanizing amount  $\geq 20g/m^2$ ;
- 7.The height of the mesh is 1430, the width is 2500, and the grid is 50 (threads) x 200 (horizontal threads);
- 8.The surface of the columns and mesh is coated with high adhesion thermosetting polyester powder electrostatic coating, with a coating thickness of  $\geq 100\mu m$ , coating adhesion of  $\geq 0$  level, and coating gloss; 80-95°, photo aging  $\geq$  level 0, weather resistance  $\geq 5$ ;
- 9.The fence foundation is made of  $\geq 28MPa$  cast-in-place concrete, with reserved holes for 150x150x350 columns to be buried. After the columns are buried, they are fixed by secondary pouring, with a burial depth of  $\geq 300$ .

**COLLIAND**

Project Name:

Building Name:

Drawing Title:

PDN&TP-1530 Fence construction drawing

Project No.

Drawing Phase

Drawing No.

Scale

Version

Date

Former outline drawing Number

Outline drawing Number

Signature

Date

Drawn by

Verified by

Designed by

Examined by

Checked by

Project Principal

F